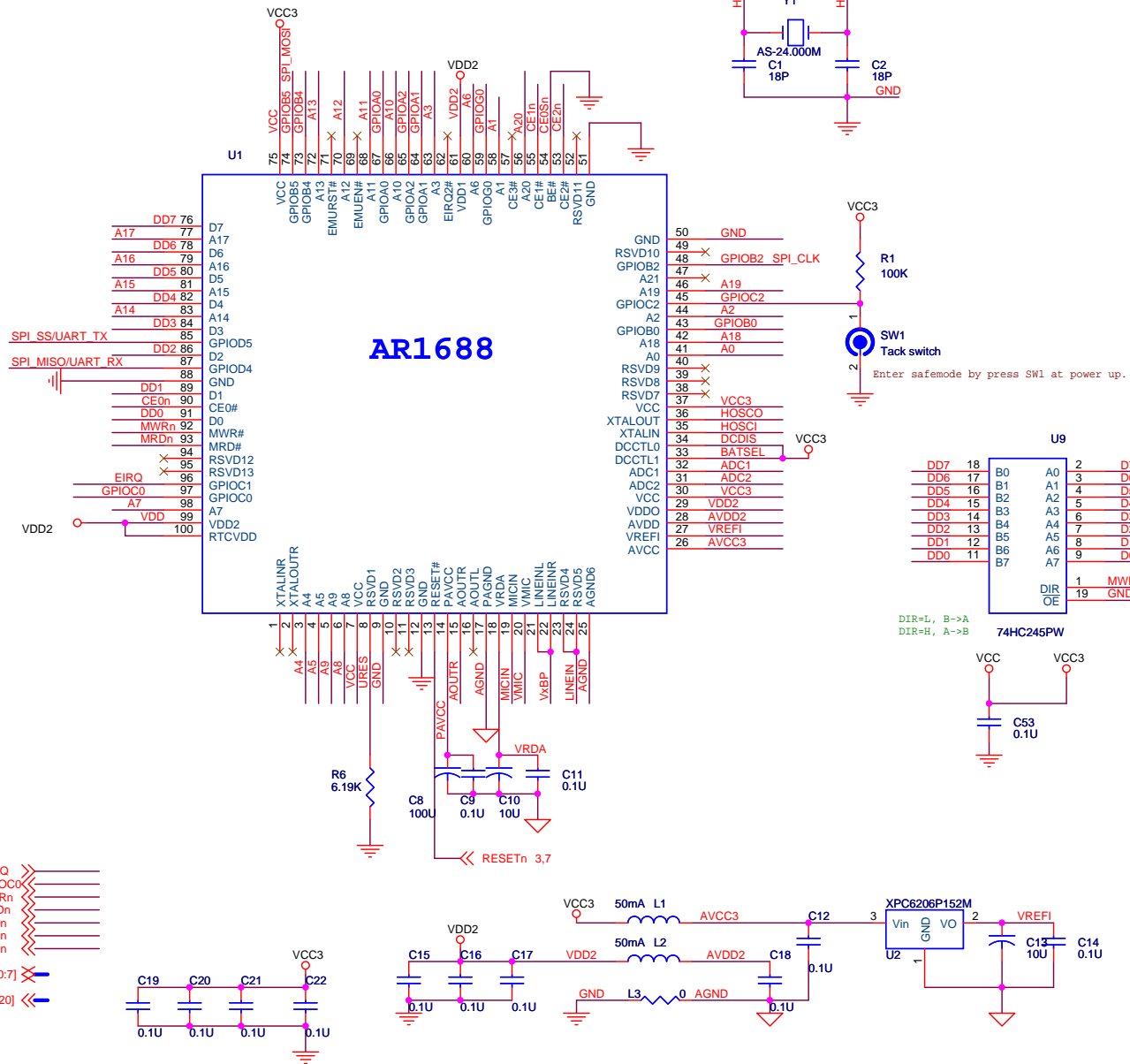


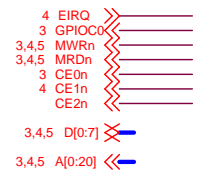
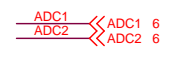
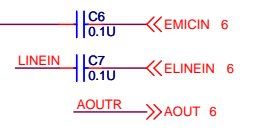
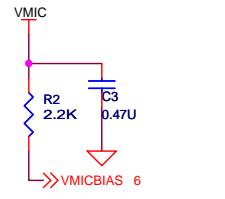
AR168R

Title		
PalmMicro IP Phone Solution		
Size A	Document Number Block Diagram	Rev 6.00
Date:	Wednesday, January 11, 2012	Sheet 1 of 10



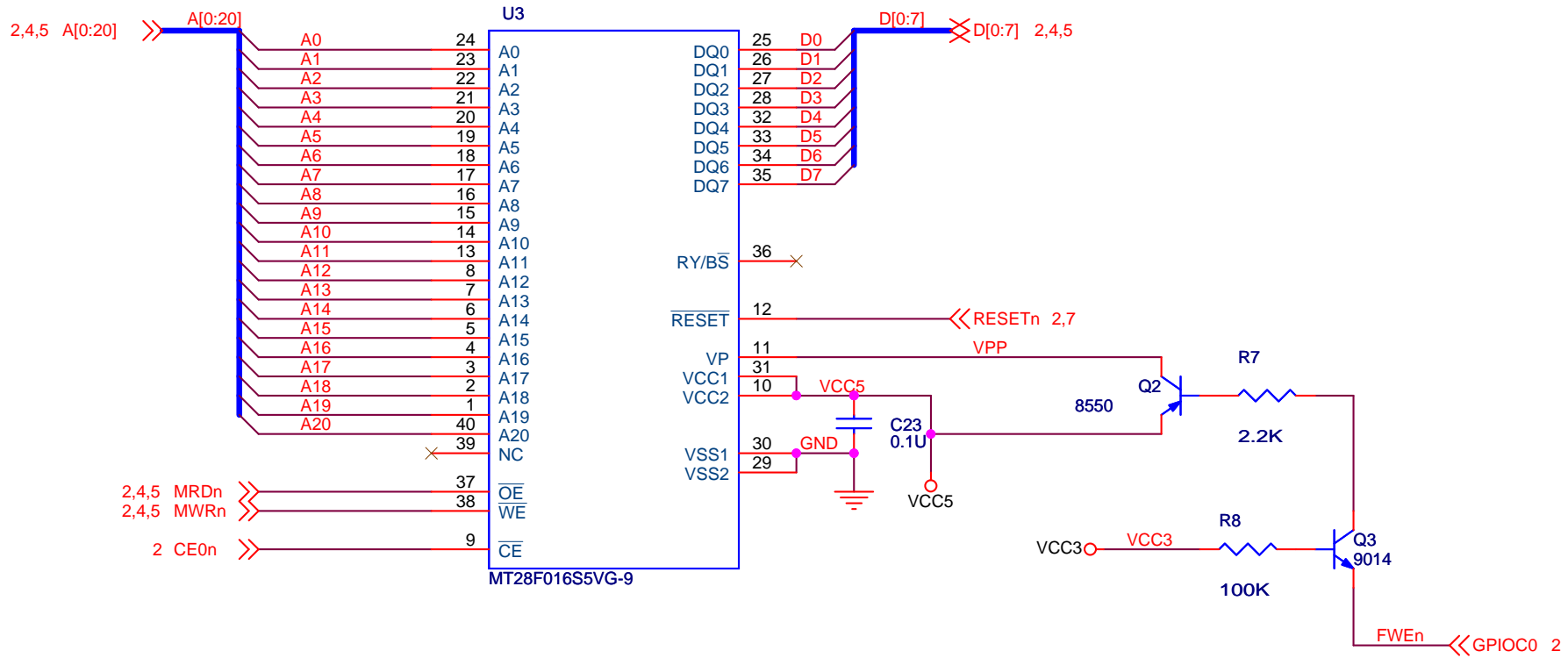
- GPIOA0 >>> GPIOA0 5,6
- GPIOA1 >>> GPIOA1 5,6
- GPIOA2 >>> GPIOA2 5,6
- GPIOB0 6
- GPIOB2 6
- GPIOB4 6
- GPIOB5 6
- GPIOC2 6
- GPIOG0 >>> GPIOG0 5,6

- SPI_SS/UART_TX >>> UTX 6
- SPI_MISO/UART_RX >>> URX 6



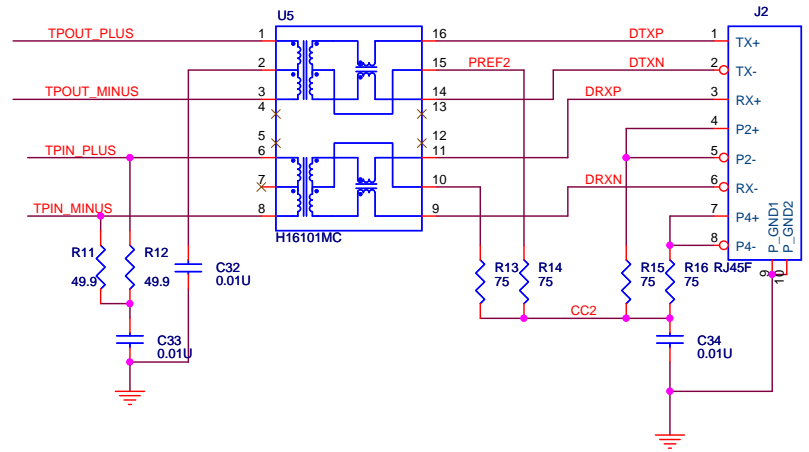
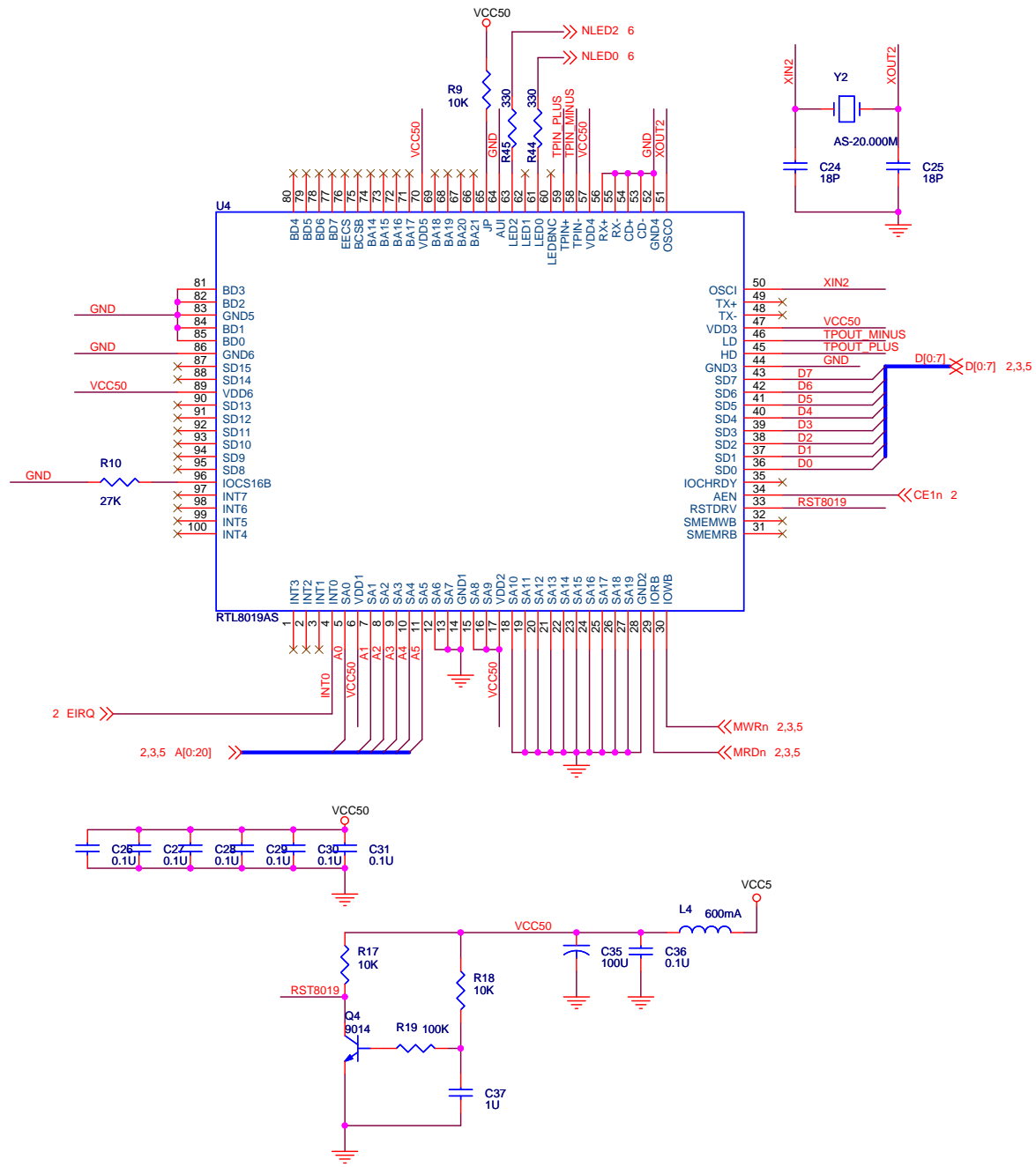
AR168R

Title		
PalmMicro IP Phone Solution		
Size B	Document Number	Rev 6.00
SOC		
Date: Monday, January 16, 2012	Sheet 2	of 8

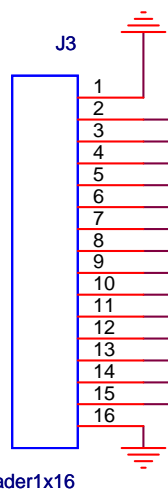


AR168R

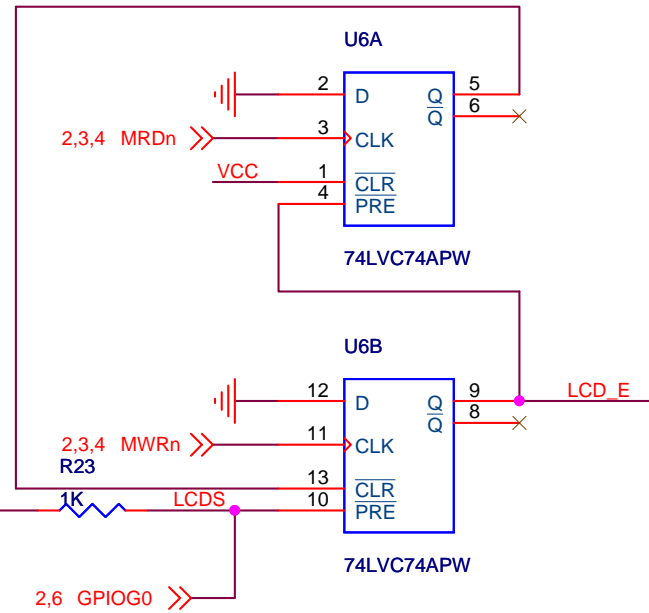
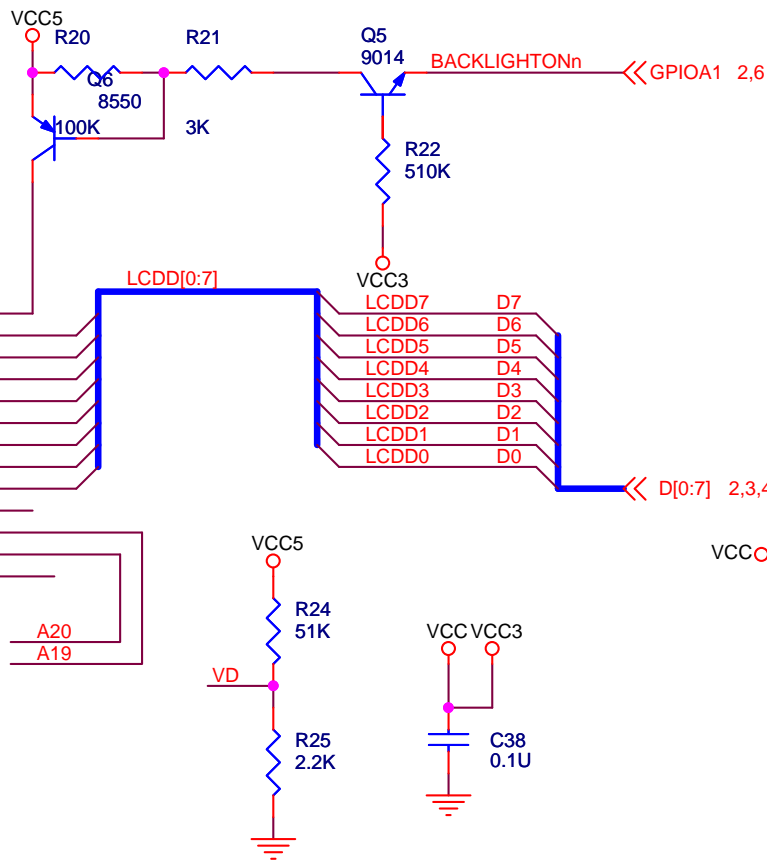
Title		
PalmMicro IP Phone Solution		
Size A	Document Number Flash memory	Rev 6.60
Date:	Friday, January 13, 2012	Sheet 3 of 8



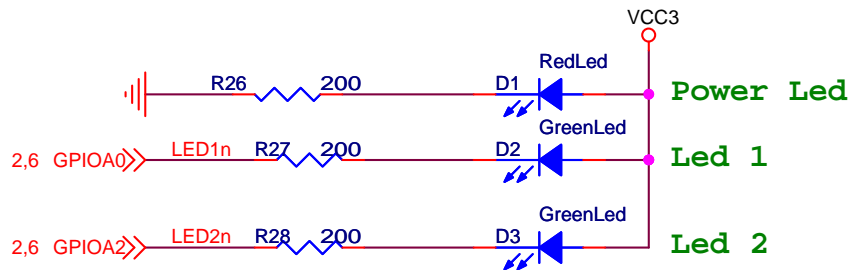
2X16 Character LCD module connector.



2 CE2n >>>
2,3,4 A[0:20] >>>



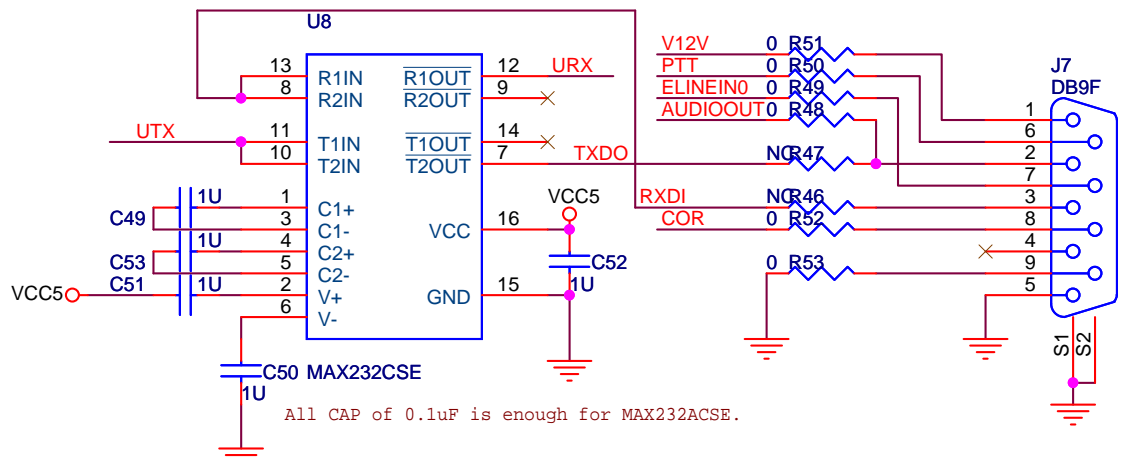
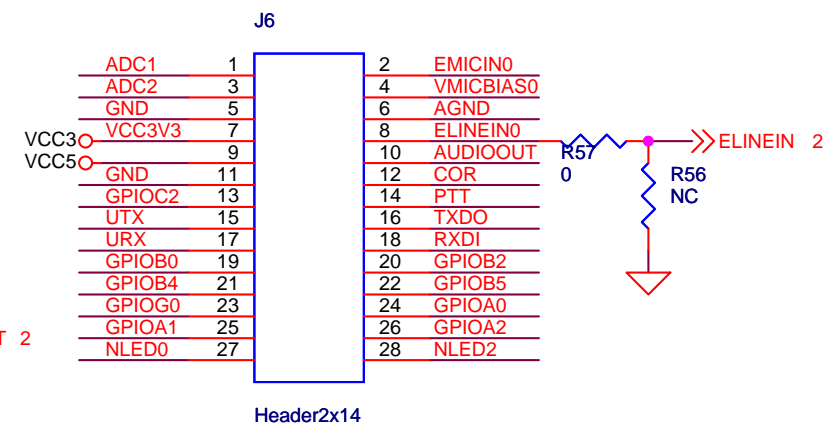
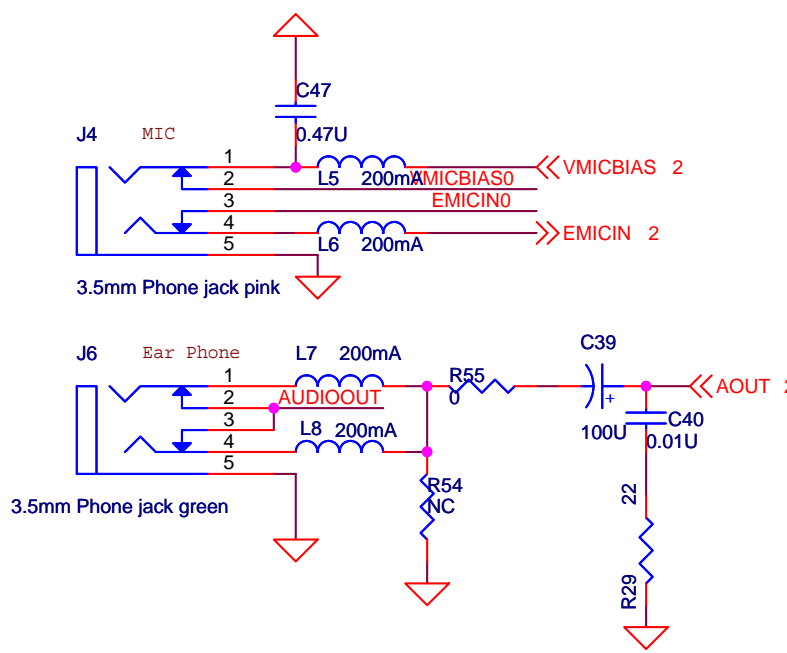
LCD LEDs



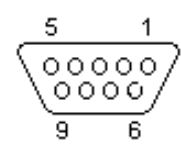
AR168R

Title		
PalmMicro IP Phone Solution		
Size	Document Number	Rev
A	Display	6.00
Date:	Friday, January 13, 2012	Sheet 5 of 8

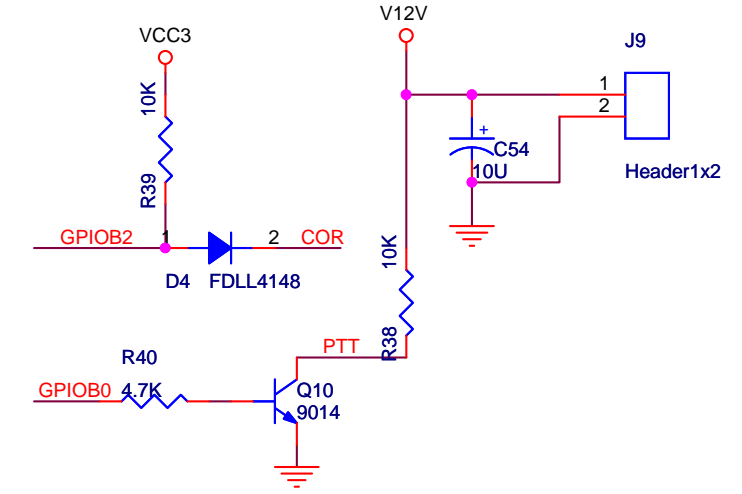
- 2,5 GPIOA0 <<<
- 2,5 GPIOA1 <<<
- 2,5 GPIOA2 <<<
- 2 GPIOB0 <<<
- 2 GPIOB2 <<<
- 2 GPIOB4 <<<
- 2 GPIOB5 <<<
- 2 GPIOC2 <<<
- 2,5 GPIOG0 <<<
- 2 UTX <<<
- 2 URX <<<
- 2 ADC1 <<<
- 2 ADC2 <<<
- 4 NLED0 >>>
- 4 NLED2 >>>



All CAP of 0.1uF is enough for MAX232ACSE.

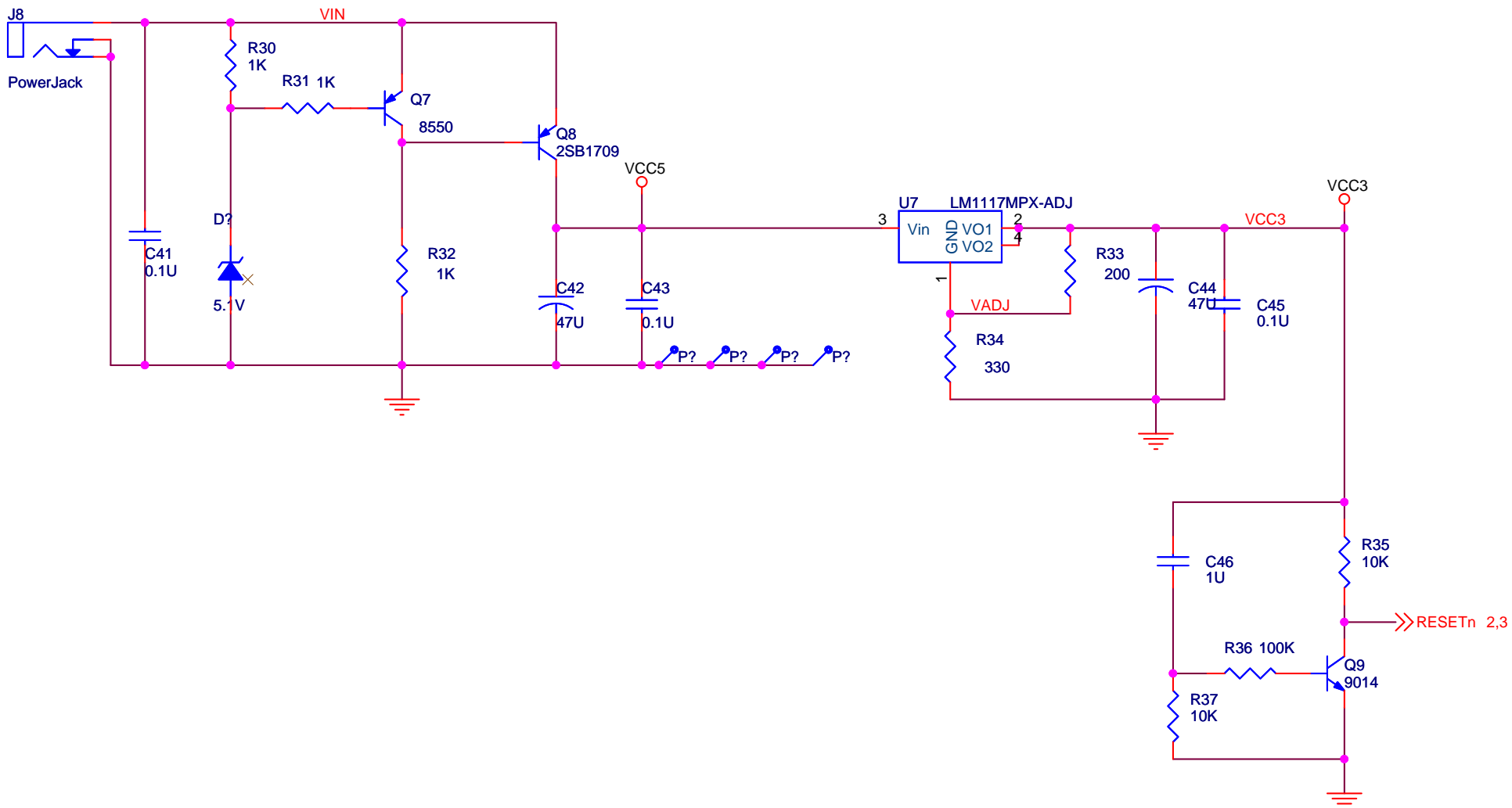


DB9 Female(DCE) connector signal defination:
 3 DTE-to-DCE Transmitted Data
 2 DCE-to-DTE Received Data
 7 DTE-to-DCE Request To Send
 8 DCE-to-DTE Clear To Send
 6 DCE-to-DTE Data Set Ready
 5 Signal Ground
 1 DCE-to-DTE Received Line Signal Detector (Carrier Detect)
 4 DTE-to-DCE Data Terminal Ready
 9 DCE-to-DTE Ring Indicator



AR168R

Title		
PalmMicro IP Phone Solution		
Size	Document Number	Rev
A	Connector	6.00
Date:	Friday, January 20, 2012	Sheet 6 of 8



AR168R

Title		
PalmMicro IP Phone Solution		
Size	Document Number	Rev
A	Power and Reset	6.00
Date:	Friday, January 13, 2012	Sheet 7 of 8

