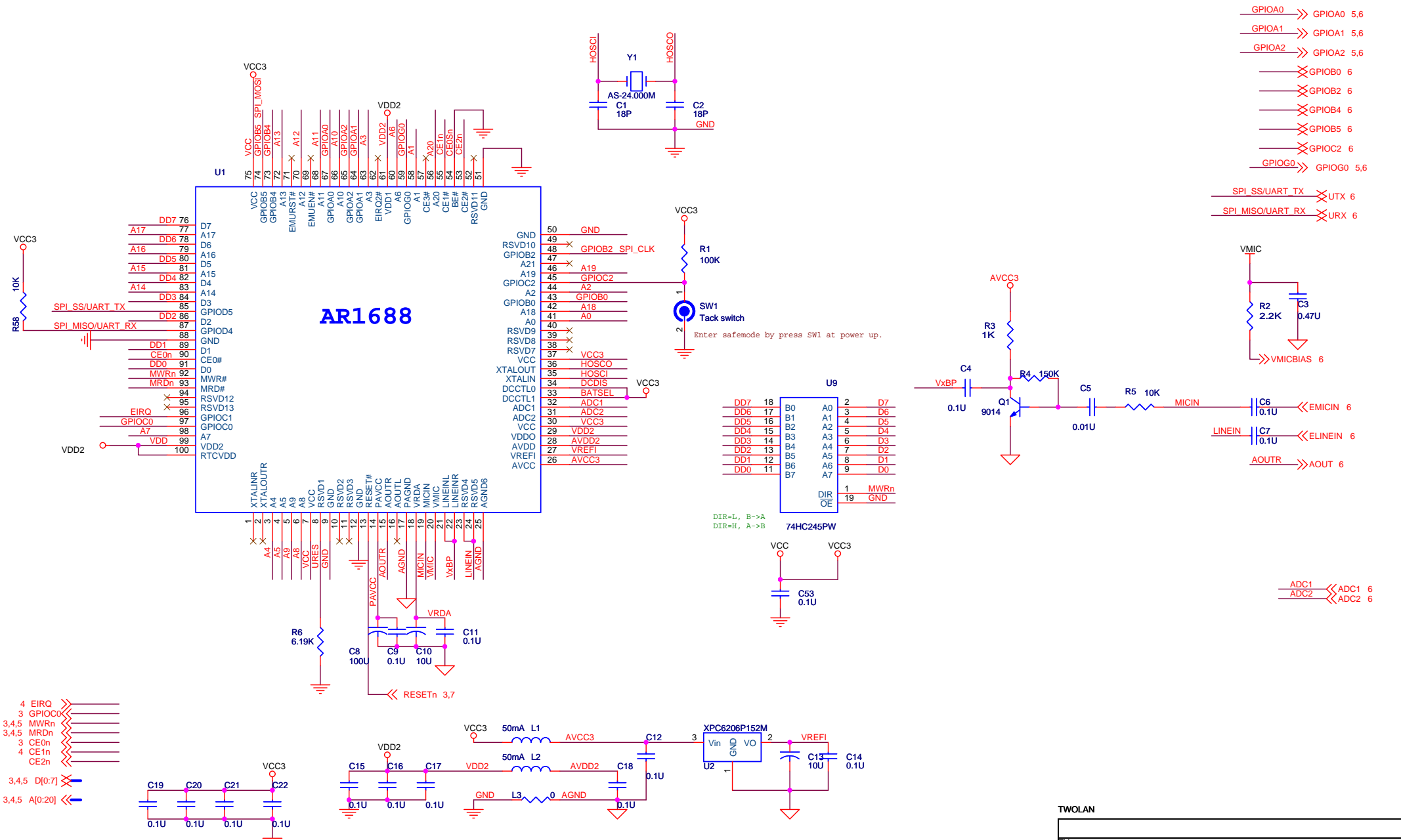


TWOLAN

Title		
<b>PalmMicro IP Phone Solution</b>		
Size	Document Number	Rev
A	<b>Block Diagram</b>	1.10
Date:	Friday, August 24, 2012	Sheet 1 of 10

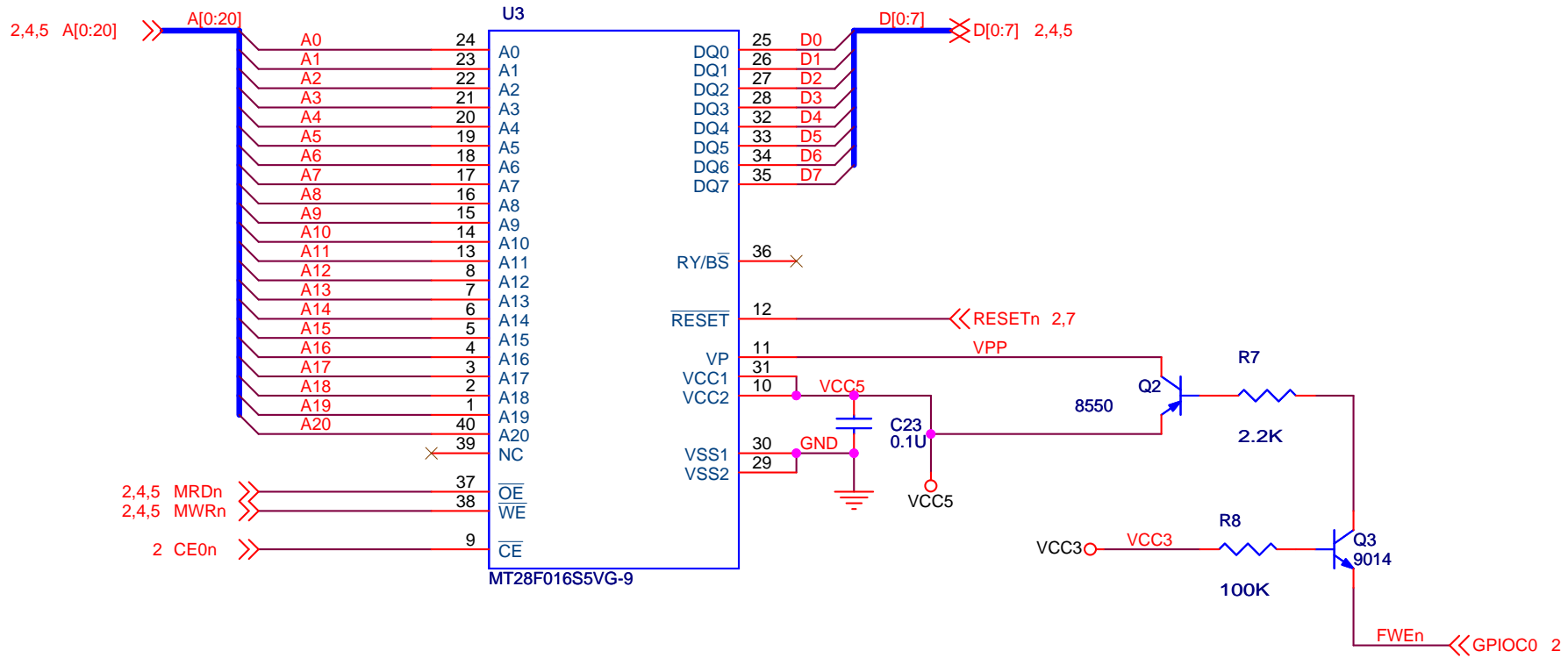


- GPIOA0 >>> GPIOA0 5,6
- GPIOA1 >>> GPIOA1 5,6
- GPIOA2 >>> GPIOA2 5,6
- GPIOB0 6
- GPIOB1 6
- GPIOB4 6
- GPIOB5 6
- GPIOC2 6
- GPIOG0 >>> GPIOG0 5,6
- SPI\_SS/UART\_TX >>> UTX 6
- SPI\_MISO/UART\_RX >>> URX 6

- VMIC >>> VMICBIAS 6
- EMICIN 6
- ELINEIN 6
- AOUTR >>> AOUT 6

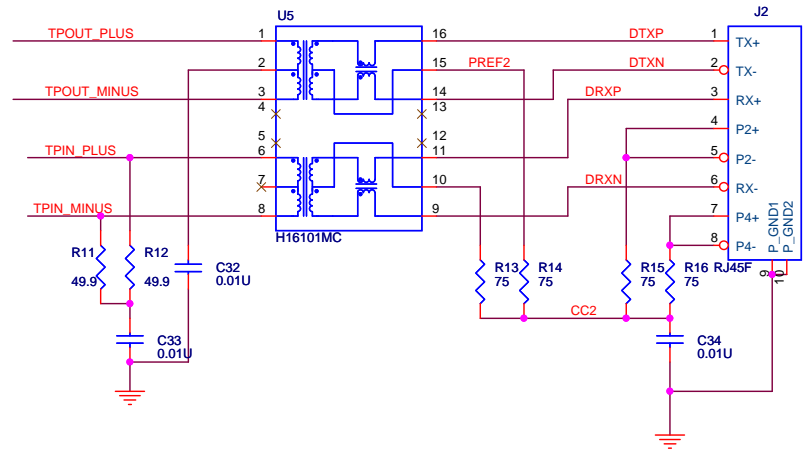
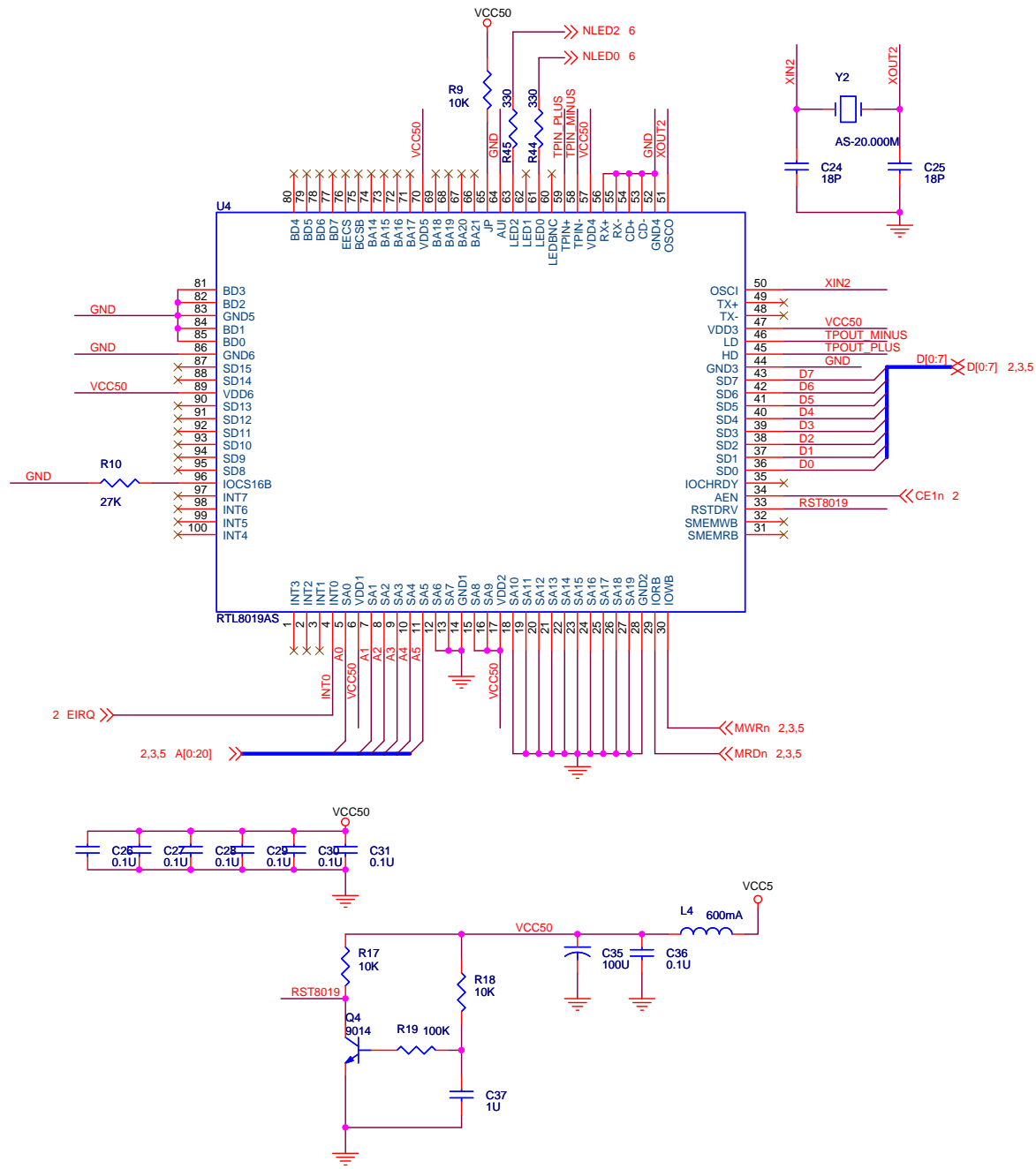
- ADC1 >>> ADC1 6
- ADC2 >>> ADC2 6

TWOLAN		
Title <b>PalmMicro IP Phone Solution</b>		
Size B	Document Number <b>SOC</b>	Rev 1.10
Date: Friday, August 24, 2012	Sheet 2	of 8

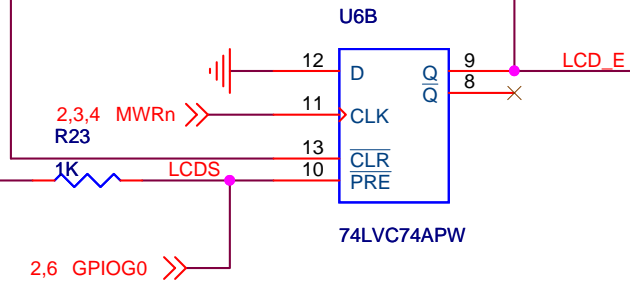
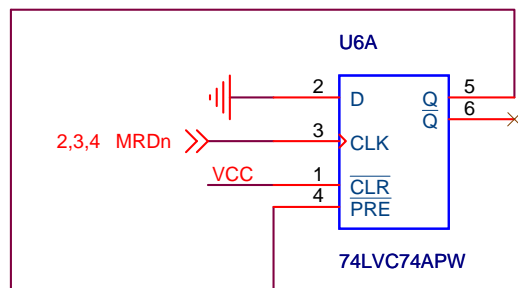
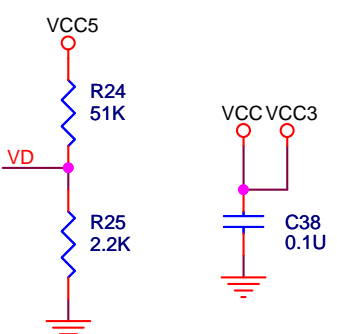
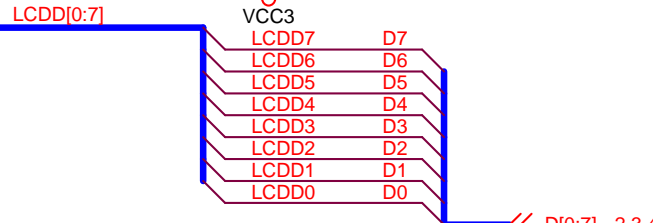
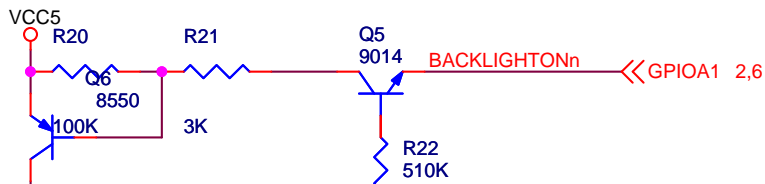
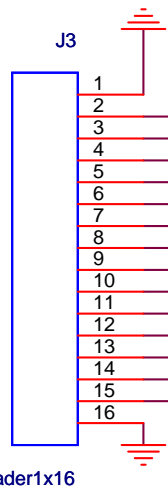


<Variant Name>

Title		
<b>PalmMicro IP Phone Solution</b>		
Size A	Document Number <b>Flash memory</b>	Rev 1.10
Date:	Friday, August 24, 2012	Sheet 3 of 8

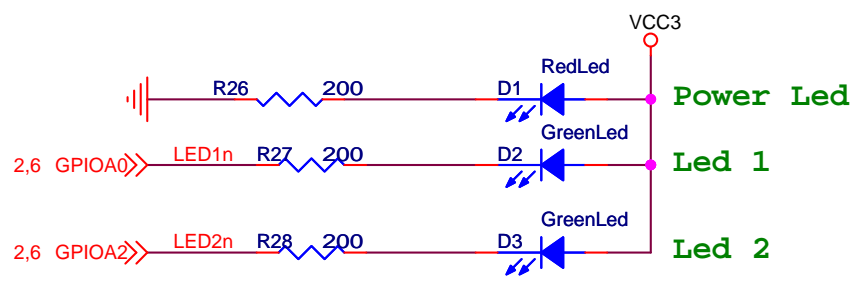


**2X16 Character LCD module connector.**



2 CE2n >>>  
2,3,4 A[0:20] >>>

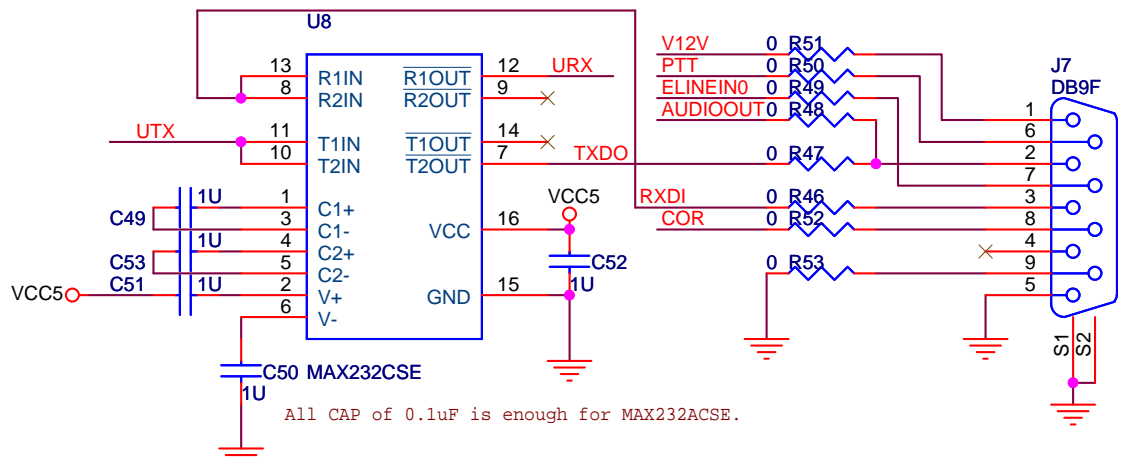
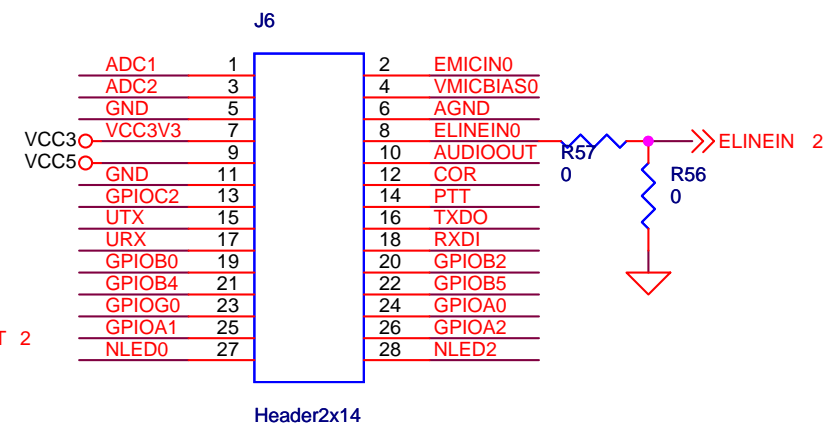
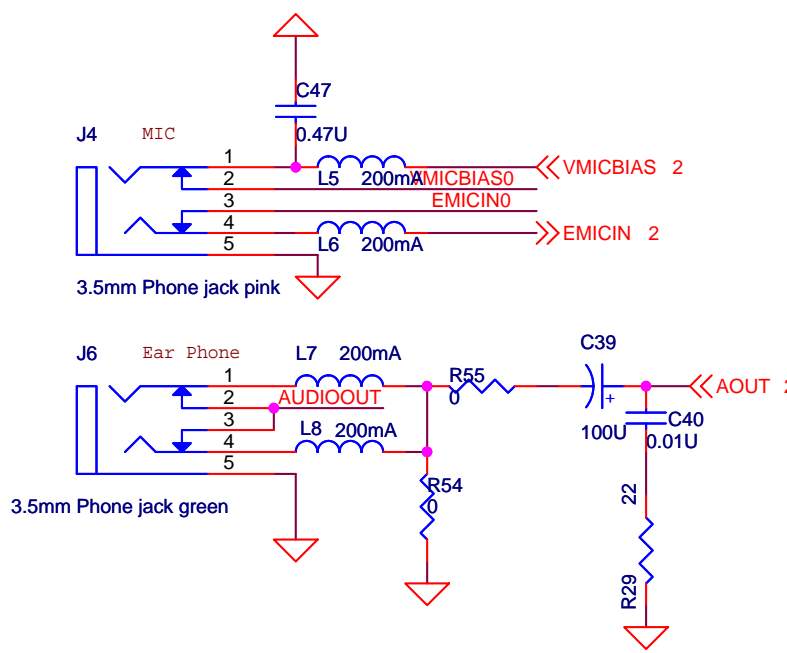
**LCD LEDs**



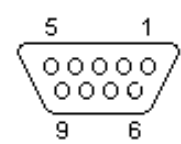
<Variant Name>

Title		
<b>PalmMicro IP Phone Solution</b>		
Size A	Document Number	Rev
	<b>Display</b>	1.10
Date:	Friday, August 24, 2012	Sheet 5 of 8

- 2,5 GPIOA0 <<
- 2,5 GPIOA1 <<
- 2,5 GPIOA2 <<
- 2 GPIOB0 <<
- 2 GPIOB2 <<
- 2 GPIOB4 <<
- 2 GPIOB5 <<
- 2 GPIOC2 <<
- 2,5 GPIOG0 <<
- 2 UTX <<
- 2 URX <<
- 2 ADC1 <<
- 2 ADC2 <<
- 4 NLED0 >>
- 4 NLED2 >>

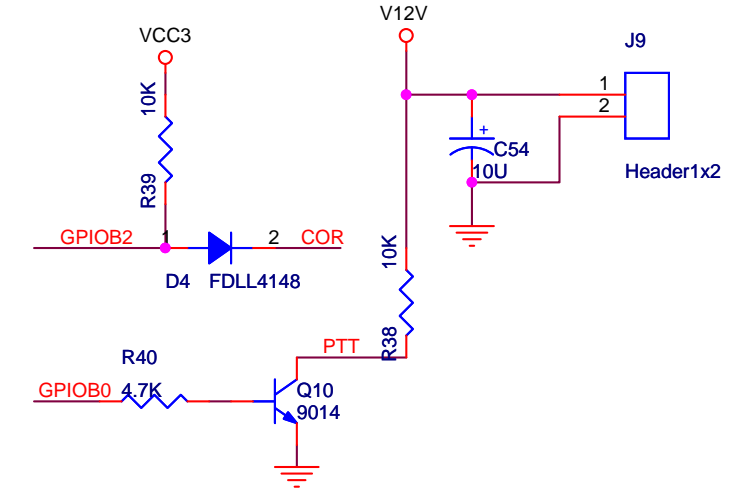


All CAP of 0.1uF is enough for MAX232ACSE.

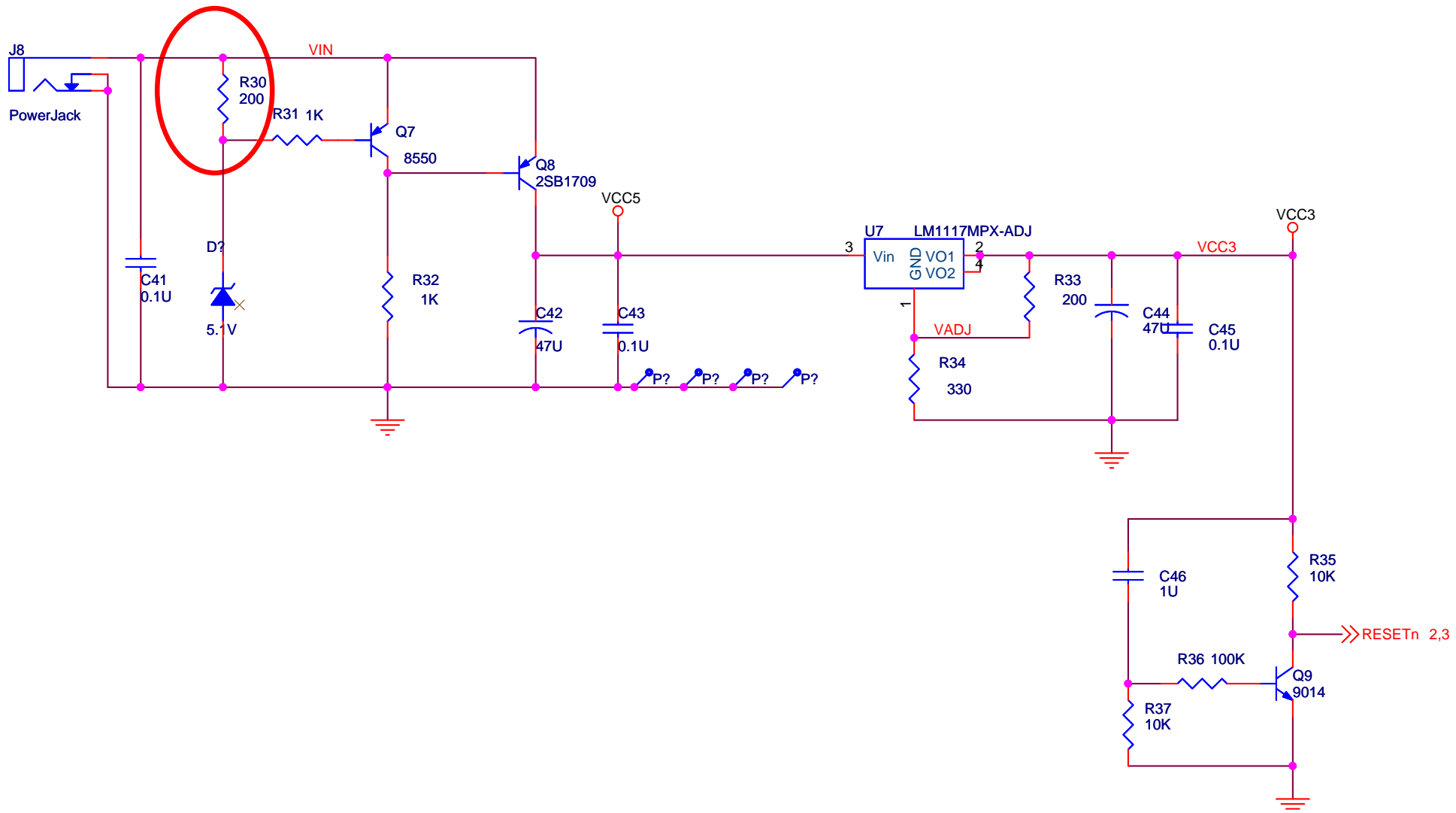


DB9 Female(DCE) connector signal defination:

- 3 DTE-to-DCE Transmitted Data
- 2 DCE-to-DTE Received Data
- 7 DTE-to-DCE Request To Send
- 8 DCE-to-DTE Clear To Send
- 6 DCE-to-DTE Data Set Ready
- 5 Signal Ground
- 1 DCE-to-DTE Received Line Signal Detector (Carrier Detect)
- 4 DTE-to-DCE Data Terminal Ready
- 9 DCE-to-DTE Ring Indicator



Title		
<b>PalmMicro IP Phone Solution</b>		
Size	Document Number	Rev
A	<b>Connector</b>	1.10
Date:	Friday, August 24, 2012	Sheet 6 of 8



<Variant Name>

Title		
<b>PalmMicro IP Phone Solution</b>		
Size	Document Number	Rev
A	<b>Power and Reset</b>	1.10
Date:	Friday, August 24, 2012	Sheet 7 of 8

